



Certified by TÜV according to EN 1176-1:2017

RAMPIT SWING™ PULL-UP BARS

- Description:** Activity rack with pull-up bars in two heights. Rounded edges and powder coated surface. The dimensions of the device are adapted to children and youth.
- Activity:** Creative physical play that strengthens the muscles of the body.
- Materials:** Wholly welded, hot dip galvanized steel. Powder coated with standard color RAL 9001 Creme. Other colors upon request.
- Mounting:** Delivered prepared for mounting on concrete foundation with expansion bolts (included). Mounting time approx. 30 min, 1 person.
- Versions:** 2 versions: 200 or 220 cm height.
- Safety area:** From 150 to 197 cm distance from the device. Can share safety area with other equipment. Read more on page 5.
- Fall height:** From 198 to 220 cm, details about fall heights on page 3.

→ For further information, downloads, prices etc, visit rampline.com/en/rampit-swing



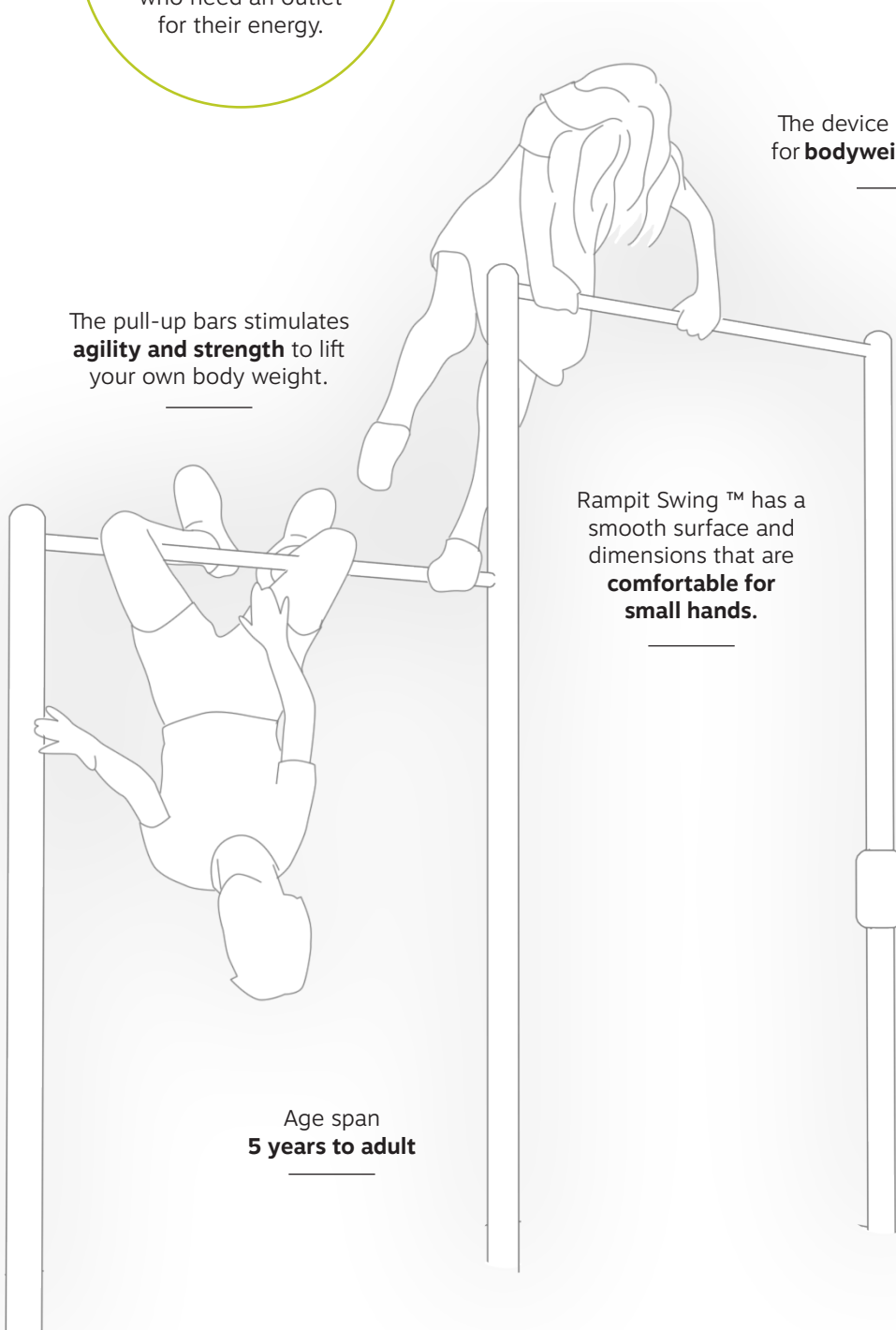
The Rampit Swing™ pull-up bars has its place in the schoolyard and is perfect for children who need an outlet for their energy.

The device can be used for **bodyweight training**,

The pull-up bars stimulates **agility and strength** to lift your own body weight.

Rampit Swing™ has a smooth surface and dimensions that are **comfortable for small hands**.

Age span
5 years to adult



VERSIONS



RAMPIT SWING™ 200

Width: 210 cm

Height/Fall height: On wet pour ground covers/artificial grass 200 cm

Weight: 55 kg

Area: 16.8 m²



RAMPIT SWING™ 220

Width: 210 cm

Height/Fall height : On wet pour ground covers/artificial grass 220 cm
On loose fill ground covers 197 cm

Weight: 60 kg

Area: 16.8 m²



THE BALANCE PARK

RampitSwing™ is suitable as a part of Rampline's balance park concept, where equipment is combined in groups and courses.

The balance park provides more ways in which the equipment can be used, and effectively triggers play and physical activity.

→ See balance park samples at rampline.com/balanceparks

⊕ Rampline can help you develop an exciting activity area adapted to the user group in mind.

Get in touch with us on contact@rampline.no

SUITABLE GROUND COVERS

Wet pour rubber or cork

Grass/reinforced grass

Paving stones

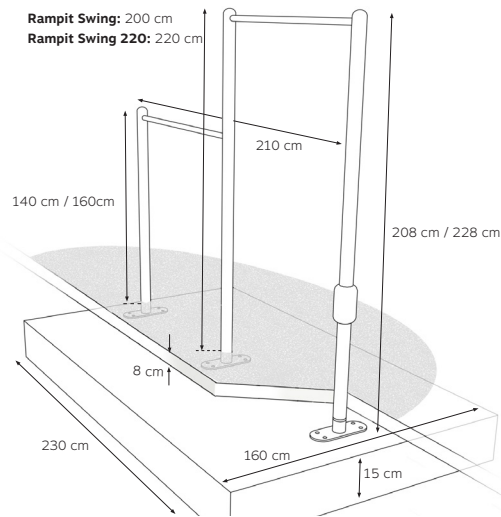
Artificial grass

Sand

Wooden deck

Wood chips

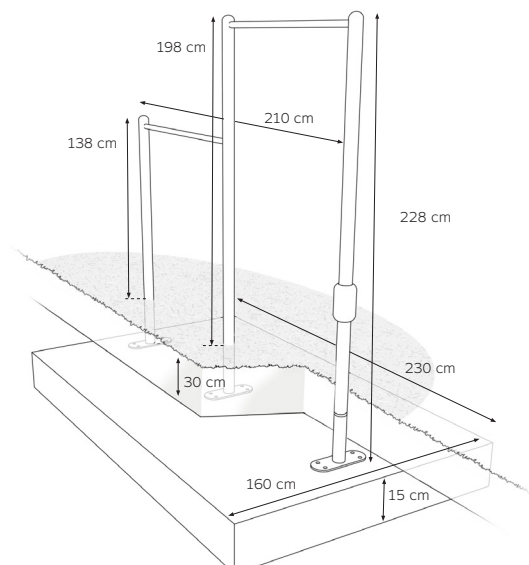
MOUNTING ON DIFFERENT GROUND COVERS



MOUNTING ON WET POUR COVERS OR ARTIFICIAL GRASS

On wet pour covers or artificial grass both versions of RampitSwing™ can be used.

Mounting depth: 8 cm.



MOUNTING ON LOOSE FILL COVERS

(Wood chips, sand etc.)

On loose fill covers RampitSwing™ 220 is used.

Mounting depth: 30 cm.

FOUNDATION

Size 160 x 230 cm, thickness 15 cm

Concrete, minimum grade B30

SAFETY AREA

Rampit Swing 200 mounted on på wet pour covers/artificial grass

requires safety area 150 cm from the lower part of the device and 183 cm from the higher part of the device.

Rampit Swing 220 mounted on på wet pour covers/artificial grass

requires safety area 157 cm from the lower part of the device and 197 cm from the higher part of the device.

Rampit Swing 220 mounted on loose fill ground covers

requires safety area 150 cm from the lower part of the device and 183 cm from the higher part of the device.

Rampit Swing can share safety area with other equipment.

Measurements in cm

HIGHER PART OF THE DEVICE

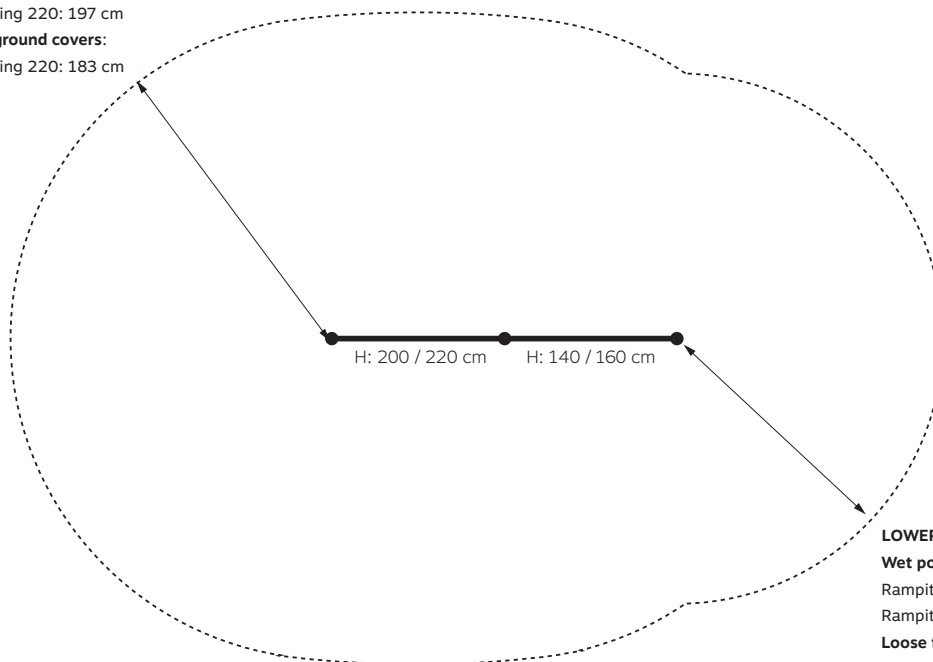
Wet pour covers/artificial grass:

Rampit Swing 200: 183 cm

Rampit Swing 220: 197 cm

Loose fill ground covers:

Rampit Swing 220: 183 cm



LOWER PART OF THE DEVICE

Wet pour covers/artificial grass:

Rampit Swing 200: 150 cm

Rampit Swing 220: 157 cm

Loose fill ground covers:

Rampit Swing 220: 150 cm

SUSTAINABILITY AND THE ENVIRONMENT

Rampline's products are designed for long term use with easy access for replacing individual parts.

The materials in use are mainly sustainably manufactured natural rubber, non-toxic recycled rubber as well as steel manufactured with zero-carbon energy.

→  Read more at rampline.com/responsibility