

ENGLISH

PRODUCT SHEET BalanceBuddy™

page 1/3



The product range is certified by TÜV according to European standard EN 1176-1:2017

**BALANCEBUDDY™ PRODUCT RANGE  
FEATURES AND BENEFITS**

---



Adapted for disabled people.



Activity for ages 2+ years



Non-slip texture



Shock absorbing surface

---



For more information, downloadable files and updated prices, go to [rampline.no](https://rampline.no)

## **BALANCEBUDDY™** balance beam

---

**Activity:** Classic balance beam for balance play and training.

**Features:** Padded top surface with shock absorption and a non-slip texture.

**Materials:** Powder coated stainless steel and Accoya wood. Padded with a 22 mm thick mat of natural rubber.

**Mounting:** Mounted to the foundation with expansion bolts.  
Mounting instructions are included.

Operations, administration and maintenance documentation is provided at delivery.

- Balancebuddy™ is delivered in 4 versions.
- Can be placed on firm and loose ground covers.
- Can act as a stand alone device or placed in groups in balance parks and obstacle courses.





### BALANCEBUDDY™ 316 straight/slanted versions

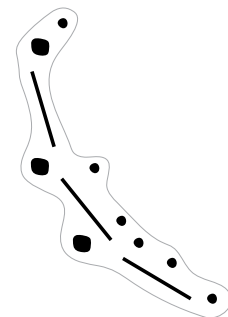
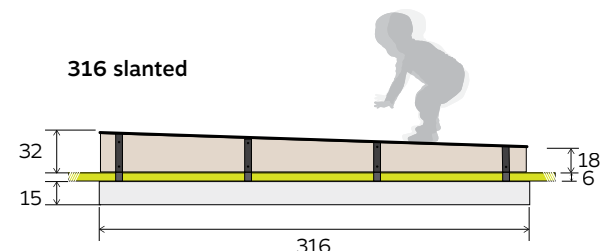
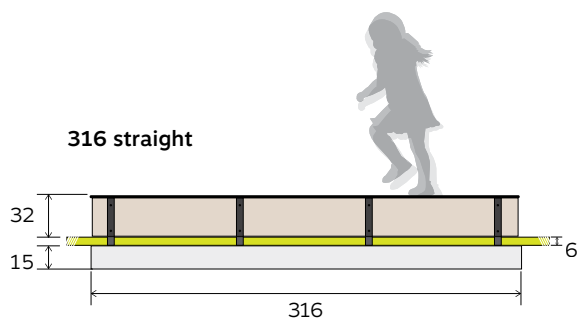
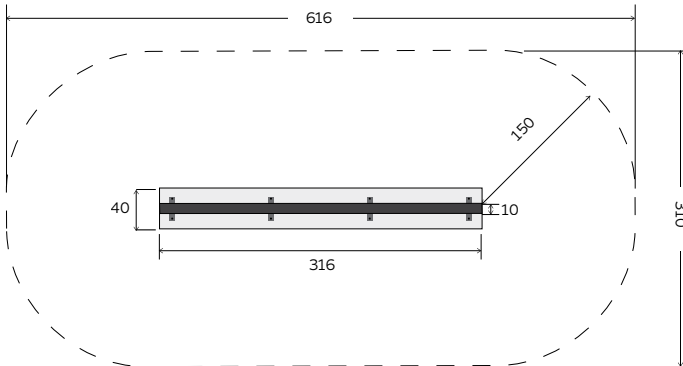
**Length:** 316 cm **Width:** 10 cm **Height:** 32 cm (straight) / 18-32 cm (slanted)

**Safety zone:** 1.5 m safety zone is required.

**Measurements, safety zone and foundation. Top view.**

Dimensions of concrete foundation: H 15 cm x W 40 cm x L 316 cm

All units in cm.



#### Sharing of safety zones when combined with other equipment in balance parks and obstacle courses.

Multiple devices can be grouped together and included in balance parks and obstacle courses.

BalanceBuddy can share safety zone with adjacent equipment.

With a setup as in the top drawing above the foundation can be casted as a continuous concrete slab with a 15 cm thickness, shown as a gray solid line.

Minimum distances required between equipment can be found on the web-page [rampline.no/balance-buddy](http://rampline.no/balance-buddy)





**BALANCEBUDDY™ 216** straight/slanted version

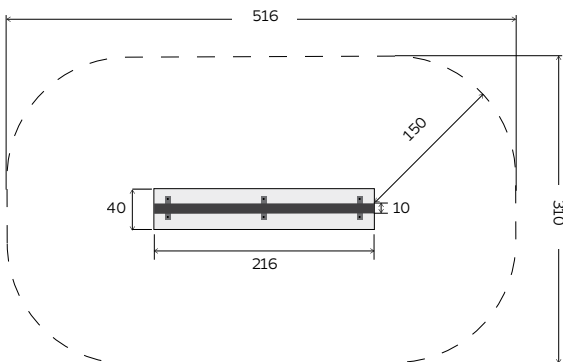
**Length:** 216 cm **Width:** 10 cm  
**Height:** 32 cm (straight), 18-32 cm (slanted)

**Safety zone:** 1.5 m safety zone is required.

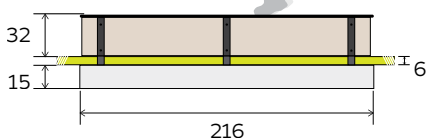
**Measurements, safety zone and foundation. Top view.**

Dimensions of concrete foundation: H 15 cm x W 40 cm x L 216 cm

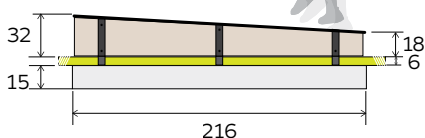
All units in cm.



**216 straight**



**216 slanted**



**Balance course with low height for small children**

The BalanceBuddy™ can be adapted to the smallest children by slightly lowering the height.

**Environment & sustainability**

Rampline's products are made to last for a long time and are manufactured without the use of unnecessary chemicals. An excellent choice for sustainable projects.

Materials in use are sustainable manufactured natural rubber, recycled non-toxic natural rubber as well as steel and aluminium manufactured with the use of 100% renewable energy sources.

The devices are designed with easy access for replacement of individual parts in the event of excessive wear or vandalism.

Read more at [www.rampline.no/social-responsibility](http://www.rampline.no/social-responsibility)