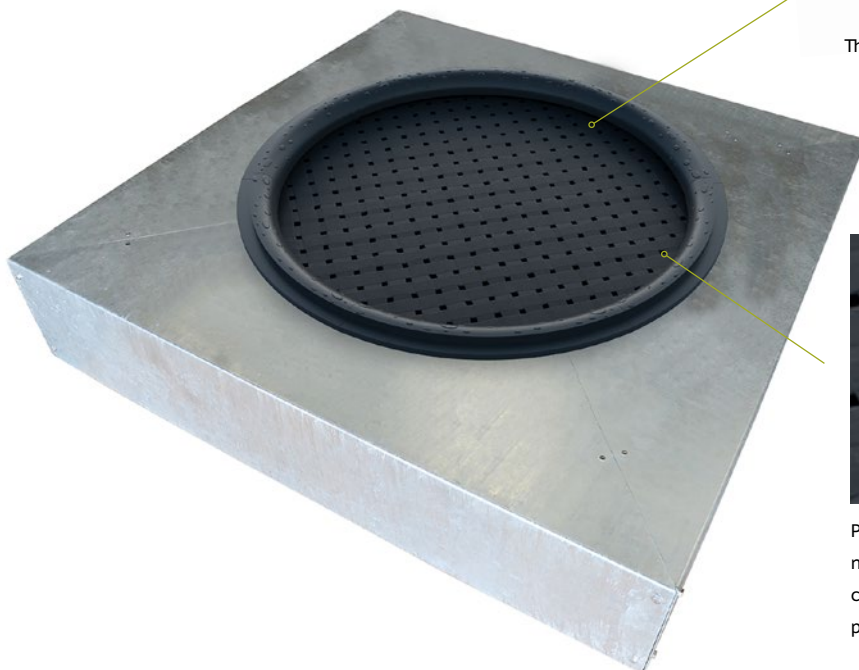
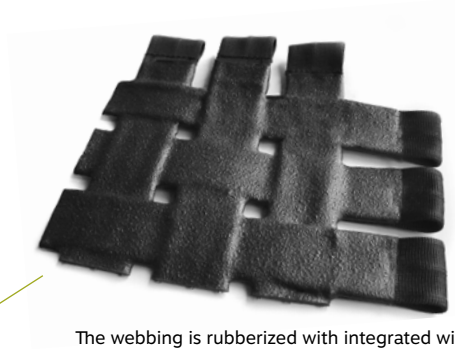


5 IMPORTANT BENEFITS OF LOOP TRAMPOLINES

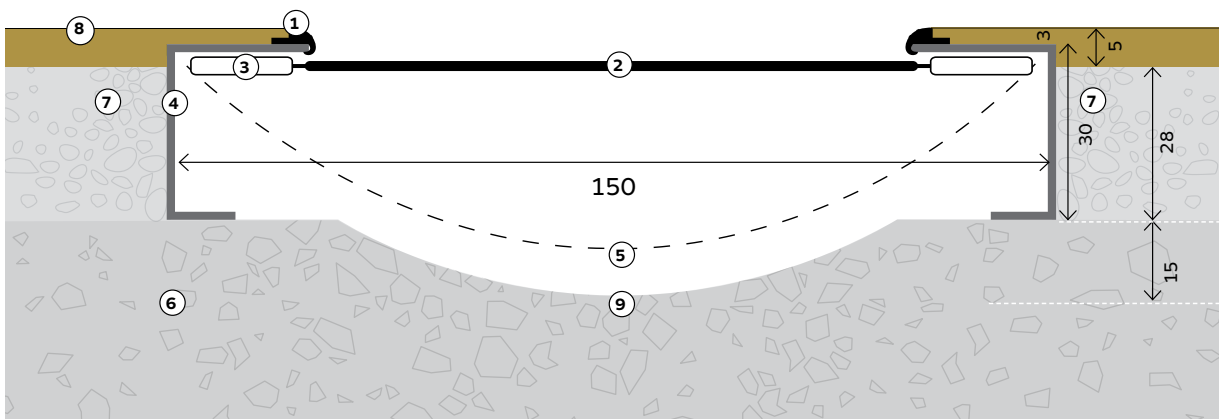
- Robust suspension frame made of hot-dip galvanized steel.
- Rubberized webbing for extra long life.
- Webbing with integrated steel wires to prevent vandalism
- Lightweight webbing gives excellent bounce.
- PlayPro™ rugged edge protection gives excellent safety and a smooth transition to surrounding ground cover.



PlayPro™ trampoline edge protection is made of natural rubber. PlayPro is developed by Rampline in cooperation with Eurotramp in order to match the premium quality of Eurotramp's trampolines.

Cross-section (showing poured rubber/cork as ground cover)

Alle units are cm.



- 1 PlayPro™ trampoline edge protection 2 Webbing 3 Springs 4 Steel suspension frame 5 Maximum range of webbing
- 6 Drainage sub-base layer 7 Sub-base layer with extra large rocks to prevent settlement
- 8 Poured ground cover 9 Smooth surface (avoid rocks with sharp edges here)





## **LOOP™ 1.0**

**Diameter:** 100 cm/jump area 95 cm

**Height:** In-ground (50 cm depth below ground level)

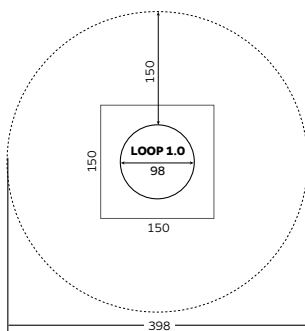
**Weight:** 160 kg

**Suspension frame:**  
150 cm x 150 cm, height 30 cm

**Safety zone:** 1.5 meter with shock absorbing properties for a fall height of 1.0 meter.

### **Measurements and safety zone. Top view.**

All units are cm.



## **LOOP™ 1.5**

**Diameter:** 150 cm/jump area 145 cm

**Height:** In-ground (50 cm depth below ground level)

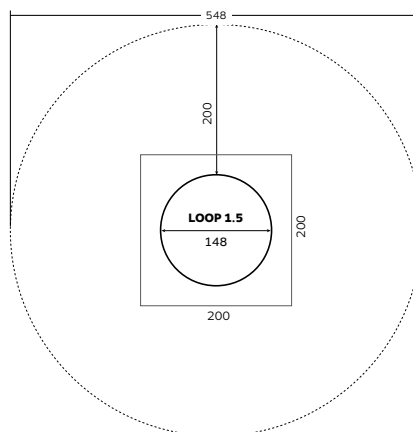
**Weight:** 224 kg

**Suspension frame:**  
200 cm x 200 cm, height 30 cm

**Safety zone:** 2.0 meter with shock absorbing properties for a fall height of 1.0 meter.

### **Measurements and safety zone. Top view.**

All units are cm.



### **Multiple trampolines grouped together**

Trampolines can share safety zones and be put together in groups.

Read more at [www.rampline.no](http://www.rampline.no)

### **Ground cover**

A poured ground cover of rubber/cork or artificial turf is recommended for the trampoline, but it can also be mounted on grass (without the PlayPro™ edge protection).

### **Environment & sustainability**

Rampline's products are made to last for a long time and are manufactured without the use of unnecessary chemicals. An excellent choice for sustainable projects.

Materials in use are sustainable manufactured natural rubber, recycled non-toxic natural rubber as well as steel and aluminium manufactured with the use of 100% renewable energy sources.

The devices are designed with easy access for replacement of individual parts in the event of excessive wear or vandalism.

Read more at [www.rampline.no/social-responsibility](http://www.rampline.no/social-responsibility)



Loop trampolines are manufactured by Eurotramp, Germany. PlayPro™ trampoline edge protection is produced by Rampline in cooperation with Eurotramp.